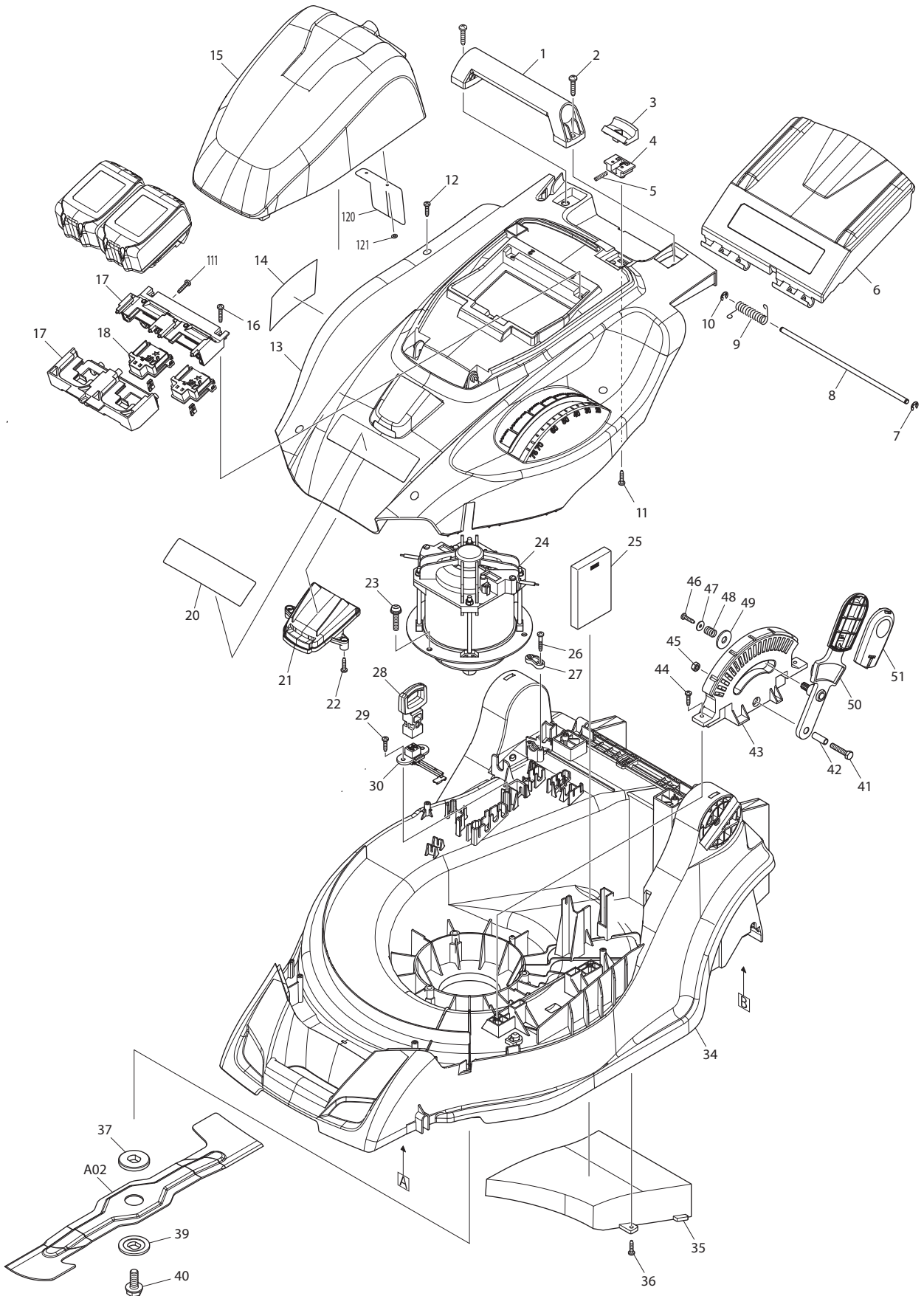
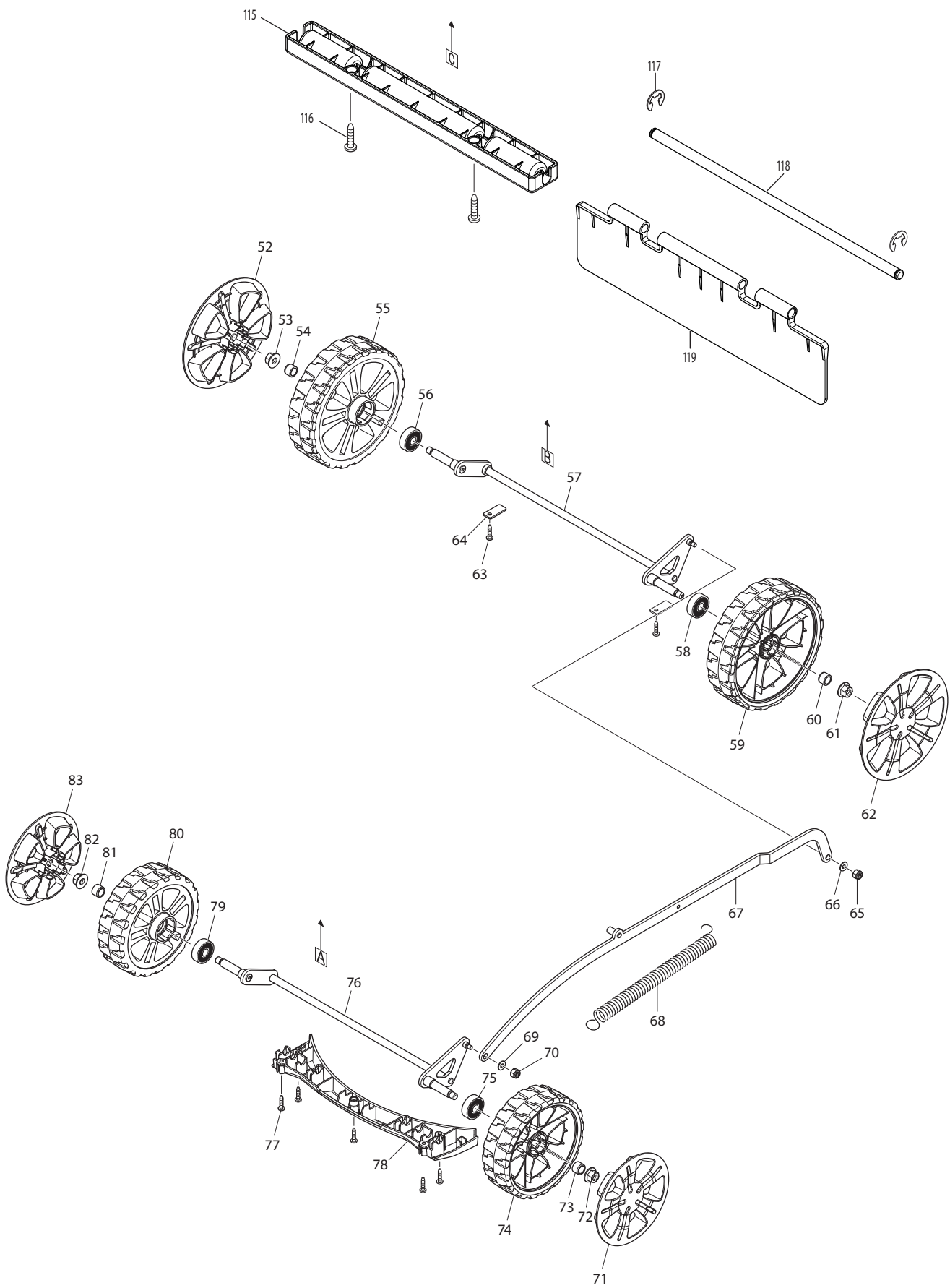
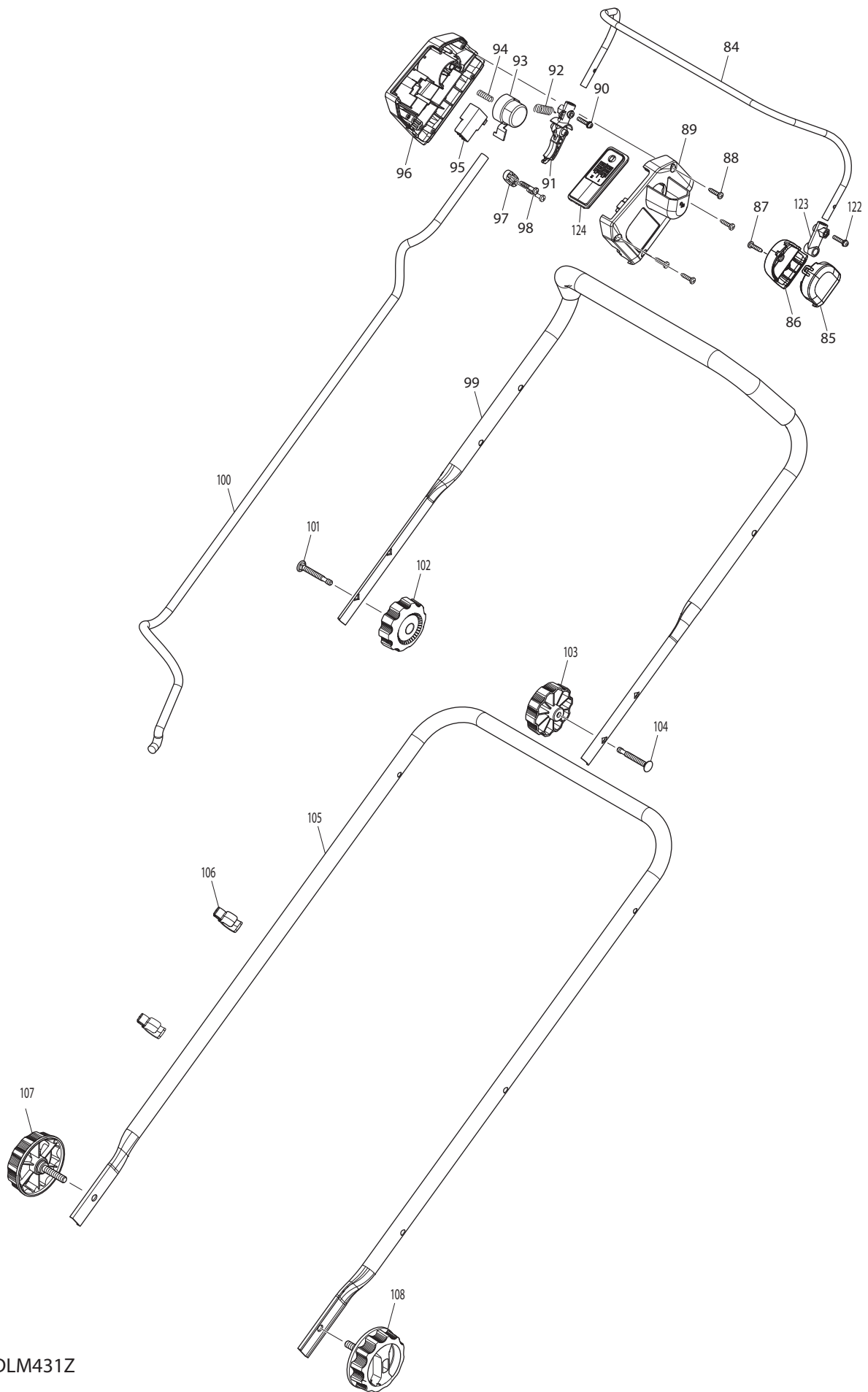


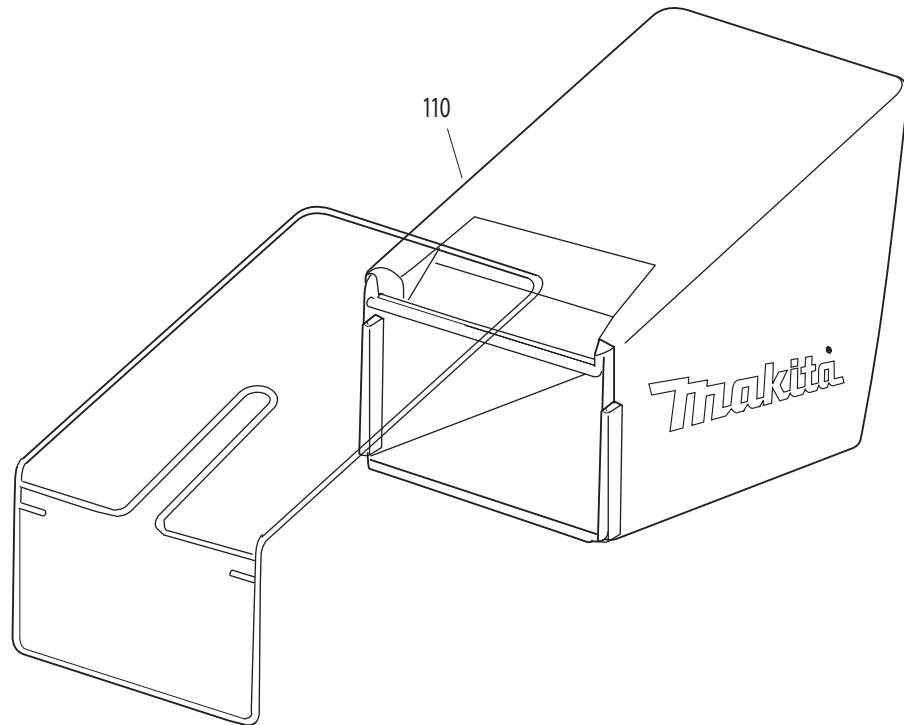


12 - 2015  
DLM431Z  
18VX2 (36V) LXT Lawn Mower









Item No.	Type	Sub	Part No.	Description	Qty	Unit
001			273675-0	GRIP A	1	PC.
002			266459-3	TAPPING SCREW 5X25	2	PC.
003			453250-0	LOCK LEVER	1	PC.
004			453251-8	LOCK LEVER SUPPORT	1	PC.
005			233173-6	COMPRESSION SPRING 4	1	PC.
006	2		144077-6	REAR FLAP COMPLETE	1	PC.
		INC.	890376-1	CAUTION LABEL	1	PC.
		INC.	890378-7	CAUTION LABEL	1	PC.
007			961018-5	STOP RING E-5	1	PC.
008			256871-5	ROD 6	1	PC.
009			233597-6	TORSION SPRING 8	1	PC.
010			961018-5	STOP RING E-5	1	PC.
011			266326-2	TAPPING SCREW 4X18	2	PC.
012			266326-2	TAPPING SCREW 4X18	4	PC.
013			143538-3	COWLING MA	1	PC.
013		INC.	807Y24-5	CAUTION LABEL	1	PC.
014			851P60-9	NAME PLATE F/DLM431	1	PC.
015			143535-9	BATTERY COVER COMPLETE A	1	PC.
015		INC.		Item No. 120,121		
016			266326-2	TAPPING SCREW 4X18	3	PC.
017			187926-4	TERMINAL HOUSING SET	1	PC.
		INC.	263005-3	RUBBER PIN 6	4	PC.
018			644808-8	TERMINAL	2	PC.
021	2		453258-4	COWLING COVER (added)	1	PC.
022			266326-2	TAPPING SCREW 4X18 (removed)	2	PC.
023	2		265672-0	* + PAN HEAD SCREW M6X35 WITH WR	3	PC.
024	1		629177-8	* DC MOTOR	1	PC.
	2		629434-4	* DC MOTOR	1	PC.
025			620479-5	CONTROLLER	1	PC.
026			265999-8	TAPPING SCREW 4X25	2	PC.
027			687149-9	STRAIN RELIEF	1	PC.
028			643890-4	KEY	1	PC.
029			266326-2	TAPPING SCREW 4X18	2	PC.
030			632F82-6	LEAD UNIT	1	PC.
034	1		456346-6	* DECK	1	PC.
	2		459533-6	* DECK	1	PC.
035			453239-8	UNDER COVER	1	PC.
036			266326-2	TAPPING SCREW 4X18	3	PC.
037			224444-2	INNER FLANGE 40	1	PC.
039			224445-0	OUTER FLANGE 40	1	PC.
040			266731-3	HEX. BOLT M10X25	1	PC.
041			921352-5	HEX. BOLT M6X30	1	PC.
042			257670-8	SLEEVE 6	1	PC.
043			453255-0	ADJUST PLATE	1	PC.
044			266326-2	TAPPING SCREW 4X18	2	PC.
045			931302-2	HEX. NUT M6	1	PC.
046			266326-2	TAPPING SCREW 4X18	1	PC.
047			267102-7	FLAT WASHER 4	1	PC.
048			231297-2	COMPRESSION SPRING 9	1	PC.
049			253808-3	FLAT WASHER 9	1	PC.
050	1		453252-6	* CHANGE LEVER	1	PC.
	2		459099-6	* CHANGE LEVER	1	PC.
051			453253-4	* CHANGE LEVER COVER (removed)	1	PC.
052			453241-1	* REAR WHEEL CAP (removed)	1	PC.
053			252145-2	COLLARED HEX NUT M8	1	PC.

Item No.	Type	Sub	Part No.	Description	Qty	Unit
054			214067-4	* PLANE BEARING 10 (removed)	1	PC.
055	1		453243-7	* REAR WHEEL	1	PC.
	2		459101-5	* REAR WHEEL	1	PC.
056			210070-3	BALL BEARING 6200ZZ	1	PC.
057			165669-8	REAR SHAFT	1	PC.
058			210070-3	BALL BEARING 6200ZZ	1	PC.
059	1		453243-7	* REAR WHEEL	1	PC.
	2		459101-5	* REAR WHEEL	1	PC.
060			214067-4	* PLANE BEARING 10 (removed)	1	PC.
061			252145-2	COLLARED HEX NUT M8	1	PC.
062			453241-1	* REAR WHEEL CAP (removed)	1	PC.
063			266326-2	TAPPING SCREW 4X18	2	PC.
064			346545-7	PLATE	2	PC.
065			252103-8	HEX. LOCK NUT M5-8	1	PC.
066			941101-4	FLAT WASHER 5	1	PC.
067			346543-1	CONNECTING ROD	1	PC.
068			231875-8	TENSION SPRING 16	1	PC.
069			941101-4	FLAT WASHER 5	1	PC.
070			252103-8	HEX. LOCK NUT M5-8	1	PC.
071			453240-3	* FRONT WHEEL CAP (removed)	1	PC.
072			252145-2	COLLARED HEX NUT M8	1	PC.
073			214067-4	* PLANE BEARING 10 (removed)	1	PC.
074	1		453242-9	FRONT WHEEL	1	PC.
	2		459100-7	FRONT WHEEL	1	PC.
075			210070-3	BALL BEARING 6200ZZ	1	PC.
076			165668-0	FRONT SHAFT	1	PC.
077			266326-2	TAPPING SCREW 4X18	5	PC.
078			456353-9	FRONT COVER	1	PC.
079			210070-3	BALL BEARING 6200ZZ	1	PC.
080	1		453242-9	* FRONT WHEEL	1	PC.
	2		459100-7	* FRONT WHEEL	1	PC.
081			214067-4	* PLANE BEARING 10 (removed)	1	PC.
082			252145-2	COLLARED HEX NUT M8	1	PC.
083			453240-3	* FRONT WHEEL CAP (removed)	1	PC.
084			326636-0	SWITCH LEVER	1	PC.
085			456351-3	SWITCH LEVER CASE	1	PC.
086			456352-1	SWITCH LEVER CASE COVER	1	PC.
087			266326-2	TAPPING SCREW 4X18	1	PC.
088			266326-2	TAPPING SCREW 4X18	4	PC.
089			143508-2	SWITCH BOX COVER COMPLETE K	1	PC.
		INC.	890374-5	INDICATION LABEL	1	PC.
090			911138-5	PAN HEAD SCREW M4X20	1	PC.
091			455075-8	LEVER	1	PC.
092			231876-6	TENSION SPRING 9	1	PC.
093			455074-0	SWITCH BUTTON	1	PC.
094			233068-3	COMPRESSION SPRING 6	1	PC.
095			650730-9	SWITCH TG72BD-6	1	PC.
096			456349-0	SWITCH BOX	1	PC.
097			687149-9	STRAIN RELIEF	1	PC.
098			265999-8	TAPPING SCREW 4X25	2	PC.
099			143510-5	UPPER PIPE COMPLETE	1	PC.
100			660330-7	POWER SUPPLY CORD	1	PC.
101			265A14-4	CUP H. SQUARE NECK BOLT M6X50	1	PC.
102			264070-5	THUMB NUT M6	1	PC.
103			264070-5	THUMB NUT M6	1	PC.

Item No.	Type	Sub	Part No.	Description	Qty	Unit
104			265A14-4	CUP H. SQUARE NECK BOLT M6X50	1	PC.
105			326635-2	LOWER PIPE	1	PC.
106			456354-7	HOLDER	2	PC.
107			266729-0	THUMB SCREW M8X35	1	PC.
108			266729-0	THUMB SCREW M8X35	1	PC.
110	2		126621-1	REAR BAG ASS'Y	1	PC.
		INC.	161745-6	REAR BAG	1	PC.
		INC.	327006-6	REAR BAG BRACKET	1	PC.
111			266326-2	TAPPING SCREW 4X18	3	PC.
115			453257-6	PROTECTIVE SHIELD HOLDER	1	PC.
116			266326-2	TAPPING SCREW 4X18	2	PC.
117			961013-5	STOP RING E-7	2	PC.
118			256872-3	ROD 8	1	PC.
119			424481-8	PROTECTIVE SHIELD	1	PC.
120			424824-4	RUBBER SHEET	1	PC.
121			259015-6	STOP RING CS-3	2	PC.
122			911138-5	PAN HEAD SCREW M4X20	1	PC.
123			455078-2	ARM	1	PC.
124			143505-8	LED CIRCUIT COMPLETE	1	PC.
E01			632D01-0	FUSE UNIT	1	PC.

**ACCESSORIES**

- Visit [www.makita.ca](http://www.makita.ca) for more accessories information -

A01			782210-8	SOCKET WRENCH 17	1	PC.
A02	2		197761-2	BLADE 430 SET	1	PC.
A03			-----	18V LI-ION BATTERY		
A04			-----	BATTERY CHARGER		
A05			-----	LI-ION BATTERY ACCESSORIES		

## Service Changes

### 1. Change of DC motor, Deck, M6x30 Pan head screw, M6x16 Pan head screw (T/I# C7883)

Item No.	Description	Type 1	Type 2
024	DC Motor	629177-8	629434-4
023	Cawling Cover	266774-5	265672-0
034	Tapping Screw 4X18	456346-6	459533-6

***Above parts are completely interchangeable as a set***

**\*\*See T/I# 7883 for Wiring Change**

### 2. Change of Change Lever

(T/I# C8164)

Item No.	Description	Type 1	Type 2
50	Change Lever	453252-6	459090-6
55	Rear Wheel	453243-7	459101-5
59			
51	Change Lever Cover	453253-4	---
52	Rear Wheel Cap	453241-1	---
62			
54	Plane Bearing 10	214067-4	---
60			

***Above parts are completely interchangeable as a set***

***Wheels and Wheel caps have been integrated and Plane bearing 10 has been eliminated.  
Change lever and Change lever cover have been integrated.***

### 3. Change of Front Wheel

(T/I# C8164)

Item No.	Description	Type 1	Type 2
55	Front Wheel	453242-9	459100-7
80			
71	Front Wheel Cap	453240-3	---
83			
73	Plane Bearing 10	214067-4	---
81			

***Wheels and Wheel caps have been integrated and Plane bearing 10 has been eliminated.***